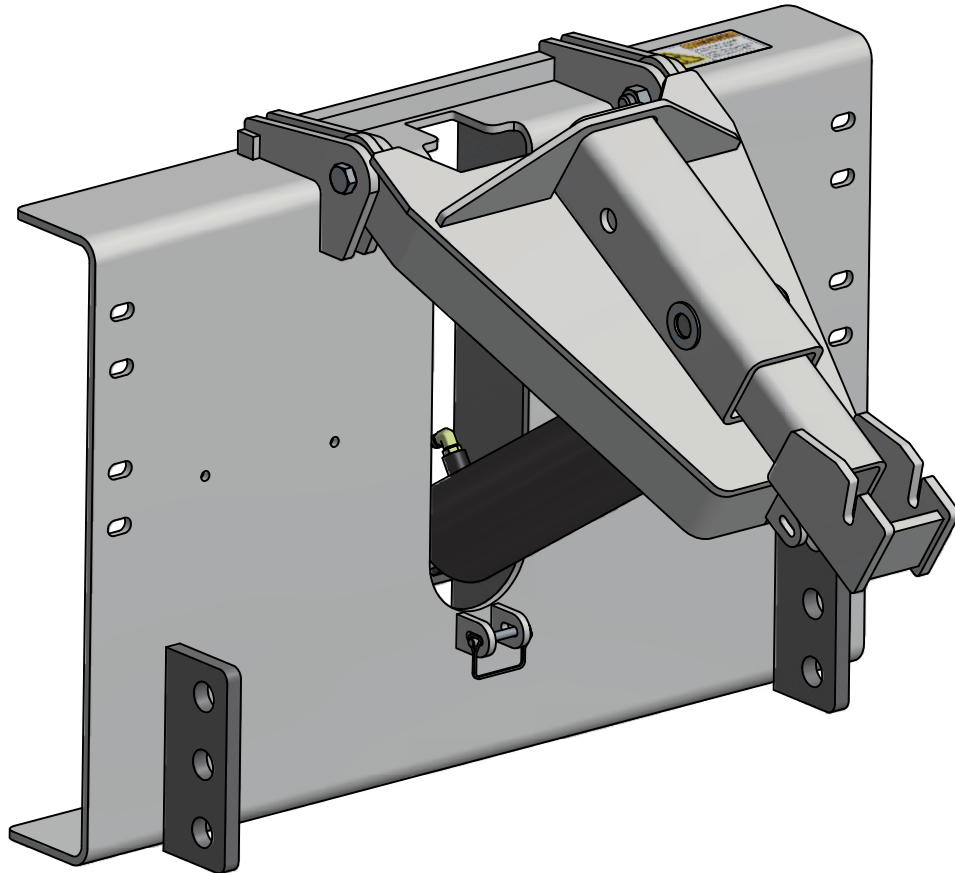


# 500LM LOW MOUNT FRONT HARNESS

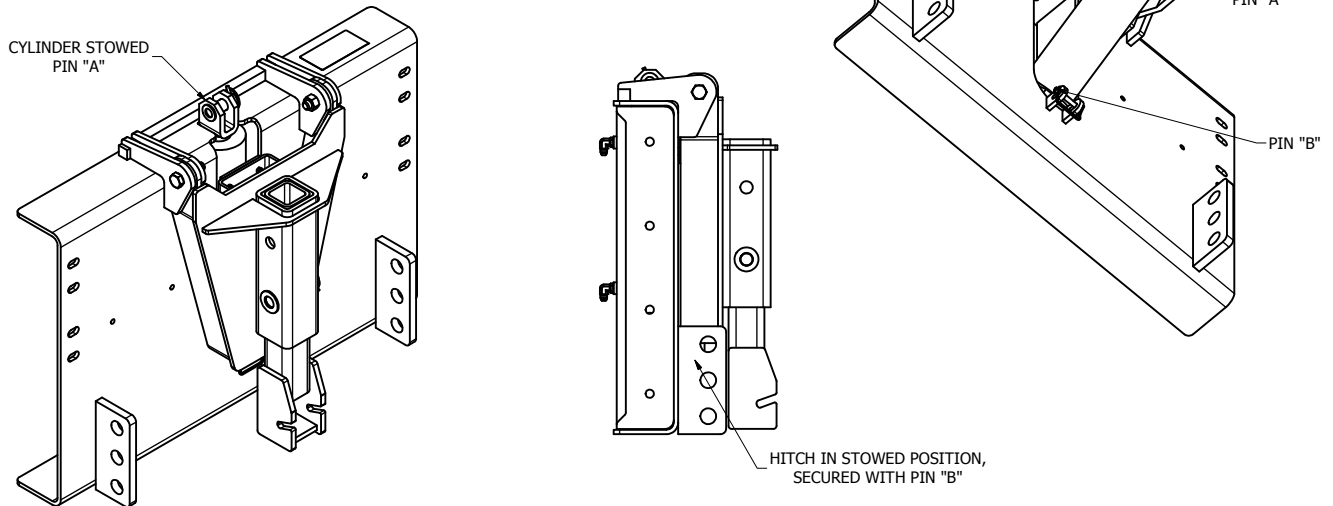


## VCL LOW MOUNT HITCH (STORAGE PROCEDURES AND POSITIONS)

### 1) STANDARD LIFT TONGUE STOWAGE PROCEDURE:

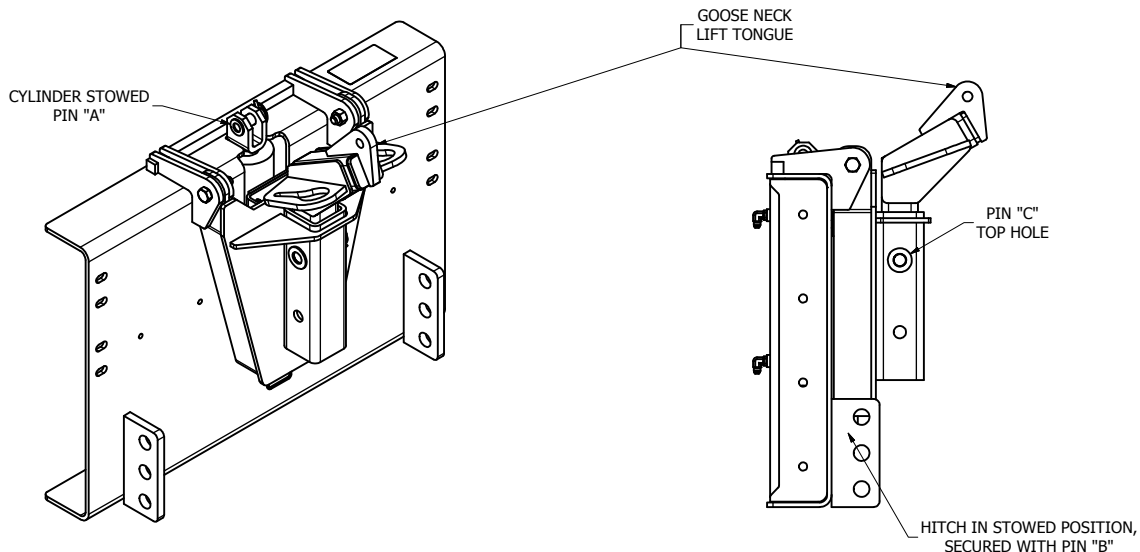
- a) WITH PLOW DETACHED LOWER THE LIFTING TONGUE USING THE HYDRAULIC CYLINDER
- b) TURN OFF VEHICLE
- c) REMOVE PIN "A" CONNECTING THE HYDRAULIC CYLINDER AND THE LIFT YOKE (THE LIFT YOKE AND CYLINDER WILL NEED TO BE SUPPORTED SO THAT NEITHER FALL)
- d) LIFT THE HYDRAULIC CYLINDER TO STOWED POSITION (AS SHOWN), AND REPLACE PIN "A" IN THE HYDRAULIC CYLINDER
- e) LOWER LIFT YOKE AND SECURE WITH PIN "B" (AS SHOWN)

NOTE: *THIS IS THE ONLY LIFT TONGUE THAT CAN REMAIN IN THE WORKING POSITION FOR STOWAGE*



### 2) GOOSE NECK LIFT TONGUE STOWAGE PROCEDURE:

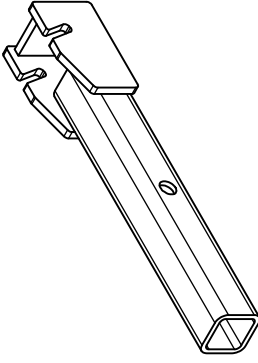
- a) WITH PLOW DETACHED LOWER THE LIFTING TONGUE USING THE HYDRAULIC CYLINDER
- b) TURN OFF VEHICLE
- c) REMOVE GOOSE NECK LIFT TONGUE AND PLACE ON GROUND
- d) REMOVE PIN "A" CONNECTING THE HYDRAULIC CYLINDER AND THE LIFT YOKE (THE LIFT YOKE AND CYLINDER WILL NEED TO BE SUPPORTED SO THAT NEITHER FALL)
- e) LIFT THE HYDRAULIC CYLINDER TO STOWED POSITION (AS SHOWN), AND REPLACE PIN "A" IN THE HYDRAULIC CYLINDER
- f) LOWER LIFT YOKE AND SECURE WITH PIN "B" (AS SHOWN)
- g) REPLACE GOOSE NECK LIFT TONGUE (AS SHOWN) AND SECURE WITH PIN "C"



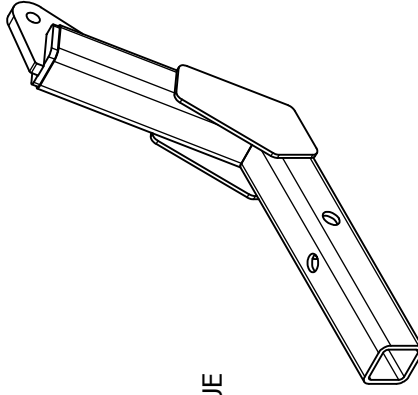


BOX 1120, NORPARK DRIVE, MOUNT FOREST, ONT. N0G 2L0 (519)323-4433 PH (519)323-4608 FX

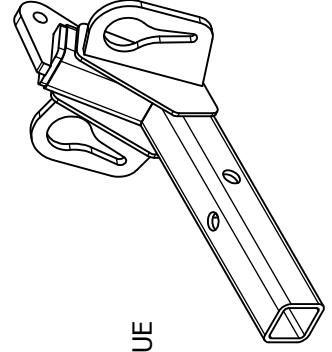
# LOW MOUNT LIFTING TONGUE OPTIONS



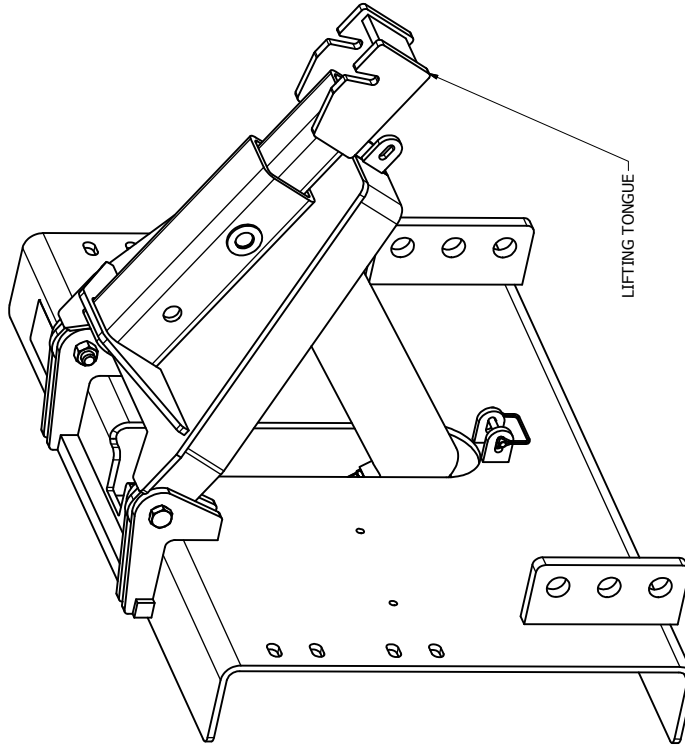
00101576  
STANDARD LOW MOUNT LIFT TONGUE



00101607  
LOW MOUNT GOOSE NECK LIFT TONGUE



00101608  
LOW MOUNT GOOSE NECK LIFT TONGUE  
WITH GRAB LINKS



EQUIPMENT MAY NOT BE EXACTLY AS SHOWN. SOME COMPONENTS MAY BE OPTIONAL.  
TO MAINTAIN OUR ON-GOING PRODUCT AND DEVELOPMENT IMPROVEMENT PROGRAM, VIKING GIVES LTD. RESERVES THE RIGHT TO CHANGE EQUIPMENT & SPECIFICATION WITHOUT NOTICE.



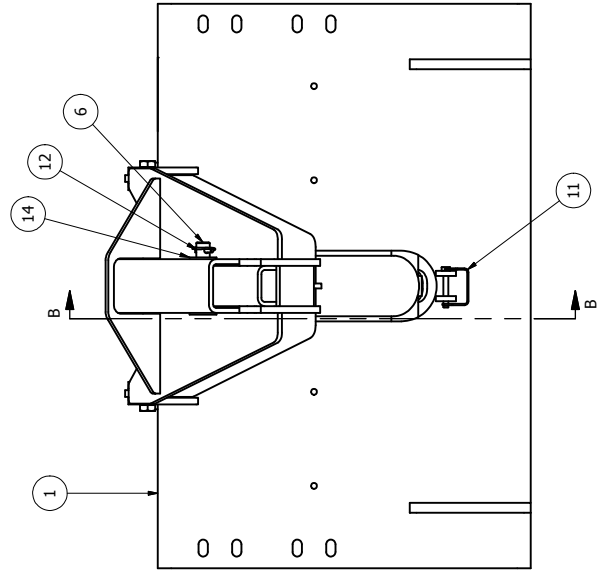
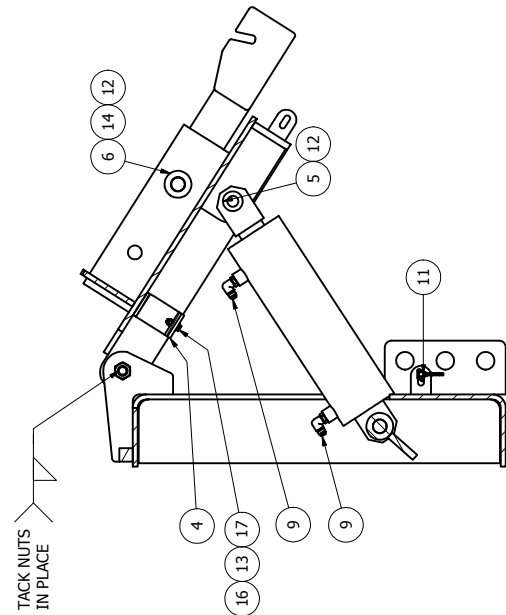
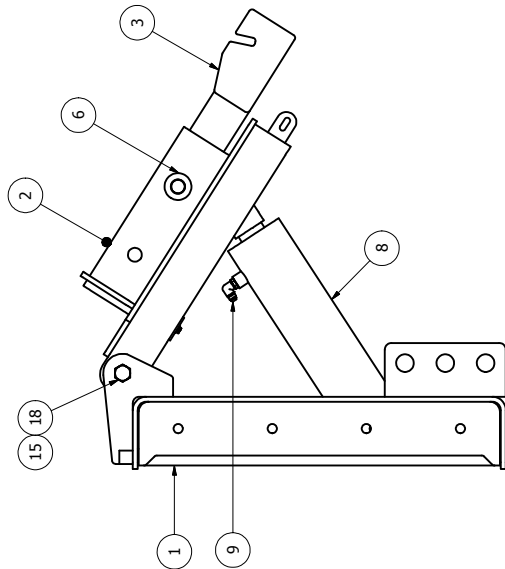
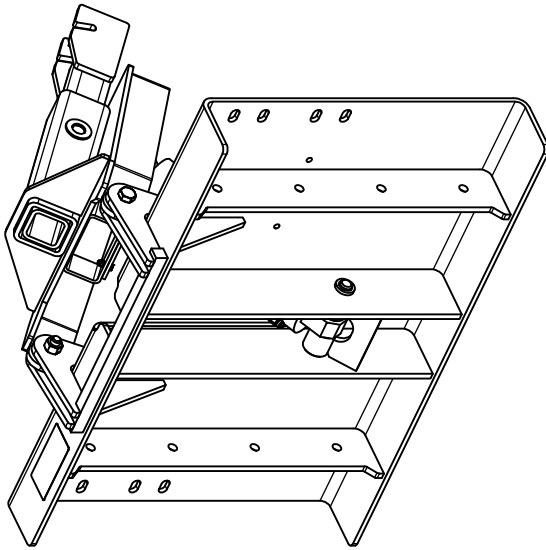
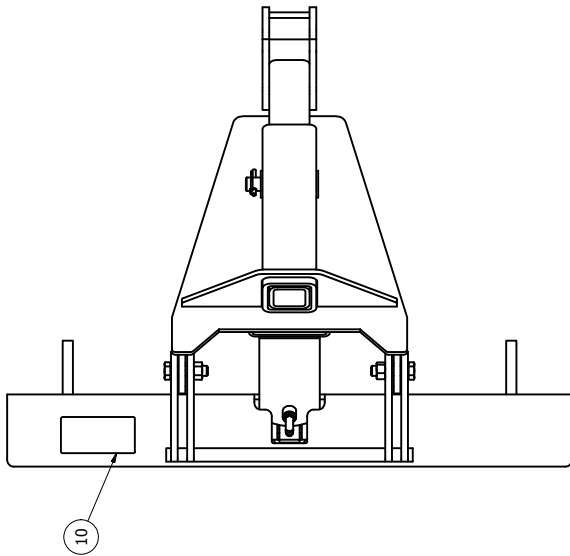
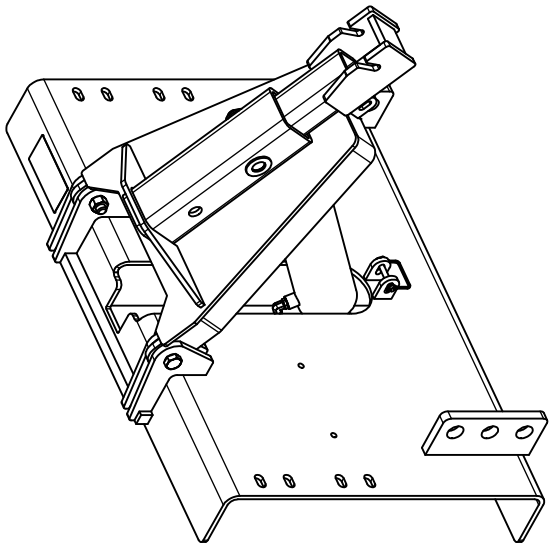
00101449

500LM LOW MOUNT FRONT HARNESS

| ITEM ID | ITEM NO.    | DESCRIPTION                       | QTY REQ |
|---------|-------------|-----------------------------------|---------|
| 1       | 00101448    | LOW MOUNT FRONT HITCH WELD'T      | 1       |
| 2       | 00101572    | LOW MOUNT LIFT YOKE WELD'T        | 1       |
| 3       | 00101576    | GRAB LINK EXTENSION WELDMENT      | 1       |
| 4       | 00101577    | RUBBER MATTING STOP 1/4           | 1       |
| 5       | 00900003    | PIN 1.000 DIA X 2.563 WELD'T      | 1       |
| 6       | 00900113    | PIN 1.000 DIA X 4.625 WELD'T      | 1       |
| 7       | 00900169    | PIN 1.000 DIA X 7.000 WELD'T      | 1       |
| 8       | 0540040     | CYLINDER HYD DA 4 X 10 FRONT LIFT | 1       |
| 9       | 0630016     | HYD ADAPTER 3/8 SAE 90 3/8 JIC    | 2       |
| 10      | 0820113     | DECAL CAUTION EXTENDING CYLINDER  | 1       |
| 11      | HW13QS-1240 | LOCK PIN 3/8 X 2 1/2 SQUARE       | 1       |
| 12      | HW13T-0828  | LYNCH PIN 1/4 X 1 3/4 ZINC        | 3       |
| 13      | HW14A-04    | FLATWASHER SAE 1/4 ZINC           | 2       |
| 14      | HW14A-16    | FLATWASHER SAE 1 ZINC             | 1       |
| 15      | HW30A-12    | NUT HEX 3/4 UNC ZINC              | 2       |
| 16      | HW36D-04    | NUT HEX ELASTIC 1/4 UNC ZINC      | 2       |
| 17      | HW40A-0408  | BOLT HEX 1/4 X 1 UNC ZINC         | 2       |
| 18      | HW40A-1222  | BOLT HEX 3/4 X 2 3/4 UNC ZINC     | 2       |



BOX 1120, NORPARK DRIVE, MOUNT FOREST, ONT. N0G 2L0 (519)323-4433 PH (519)323-4608 FX



TACK NUTS  
IN PLACE

SECTION B-B

TO MAINTAIN OUR ON-GOING PRODUCT AND DEVELOPMENT IMPROVEMENT PROGRAM, VIKING-GIVES LTD. RESERVES THE RIGHT TO CHANGE EQUIPMENT & SPECIFICATION WITHOUT NOTICE.



THIS PAGE LEFT BLANK