

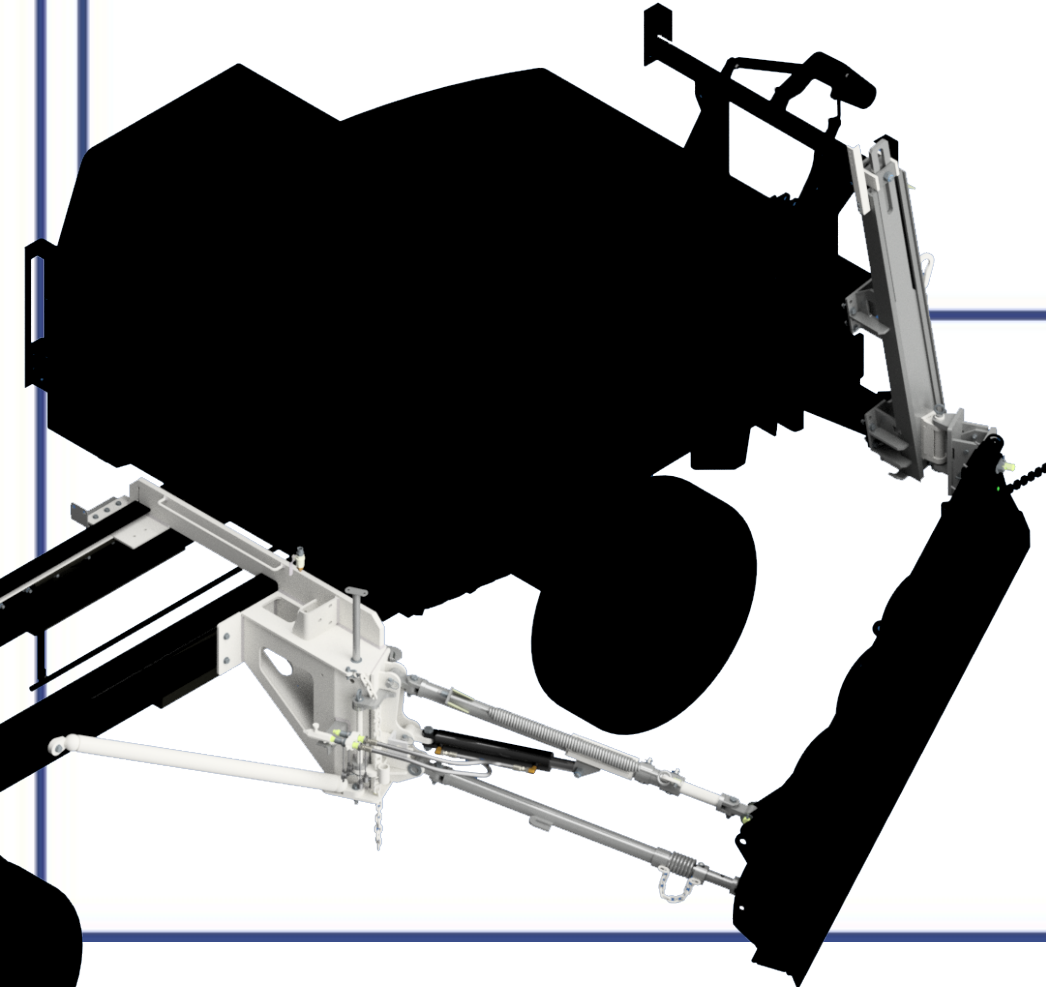


VCL 275 Metro Tower

The North American Leader in innovative snow & ice control equipment.

Standard Features

1. Hydraulic Metro-Style Rear Lifting Arms.
2. Manual Extension Wing Arm allows the clearing path to be increased or decreased.
3. Front Tower Trip Hinge controlled by torsion spring.



Options

- Horizontal wing positioner
- Optional Back-of-Cab oil tank or frame mount oil tank.

